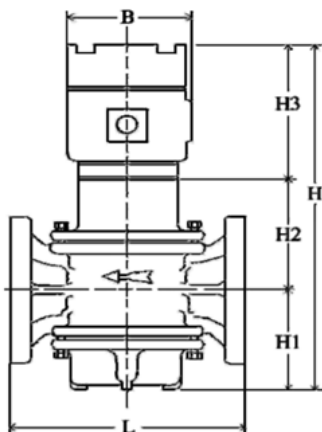




## 產品規格

品名	電子式油表
口徑	1" (25mm), 1-1/2" (40mm), 2" (50mm), 3" (80mm), 4" (100mm), 6" (150mm)
接續	JIS / ANSI
顯示畫面	LCD顯示 8位數累積量顯示 5位數瞬間量顯示或可歸零累積量顯示
材質	FC25 / SS316
輸出	4~20mA / Pulse(Reed switch, 50VDC / 50mA)
耐溫	80°C / 120°C / 180°C
耐壓	10kg/cm <sup>2</sup> / 20kg/cm <sup>2</sup>
精度	±0.5%讀值 (±0.2%特製)
電池規格	3.6V鋰電池 使用壽命約3-6年
防爆	Class I, Division 2, Groups B,C&D

## 尺寸圖



Size	L(mm)	H(mm)	B(mm)	H1(mm)	H2(mm)	H3(mm)	Weight(kg)
25mm	200	288	115	78	70	140	15
40mm	200	288	115	78	70	140	18
50mm	250	340	115	105	95	140	22
80mm	320	420	115	144	136	140	45
80mm(L)	320	420	115	144	136	140	45
100mm	380	420	115	144	136	140	59
100mm(L)	425	610	115	260	253	140	173

## 流量範圍(m<sup>3</sup>/hour)

Fluid			Petroleum								
			LPG	Gasoline	Kero-sene	Light oil, grade-A heavy oil (high temp.)	Grade-A heavy oil	Grad-B heavy oil Grade-C heavy oil (high temp.)	Grade-C heavy oil	Highly viscous fluids	
Type	Dia.	Viscosity	0.1cP	0.5cP~	2cP~	5cP~	10cP~	50cP~	150cP~	500cP~	2000cP~
25 40	25 40	Continuous	-	1~4.5	0.8~4.5	0.4~6	0.1~6	0.05~6	0.025~6	0.013~4.5	0.007~3.5
		Intermittent	-	1~6	0.8~6	0.4~7	0.1~7	0.05~7	0.025~7	0.013~6	0.007~4.5
		Maximum	-	7	7	8	8	8	8	8	7
40 50	40 50	Continuous	-	2~9	1.5~9	0.8~13	0.25~13	0.1~13	0.05~13	0.02~9	0.01~7.8
		Intermittent	-	2~13	1.5~13	0.8~15	0.25~15	0.1~15	0.05~15	0.02~13	0.01~9
		Maximum	-	15	15	17	17	17	17	17	15
80	80	Continuous	6.5~17	5~17	3.5~25	1.8~25	0.6~35	0.3~35	0.15~35	0.07~20	0.03~17
		Intermittent	6.5~28	5~28	3.5~35	1.8~35	0.6~40	0.3~40	0.15~40	0.07~35	0.03~28
		Maximum	35	35	40	40	45	45	45	45	35
80L 100	80 100	Continuous	13~35	8~35	5~35	2.5~50	1~50	0.5~50	0.25~50	0.12~35	0.06~28
		Intermittent	13~50	8~50	5~50	2.5~55	1~55	0.5~55	0.25~55	0.12~50	0.06~35
		Maximum	55	55	55	60	60	60	60	60	55
100L	100	Continuous	25~85	16~85	12~85	8~120	4~120	2~120	0.7~120	0.35~85	0.17~60
		Intermittent	25~120	16~120	12~120	8~130	4~130	2~130	0.7~130	0.35~120	0.17~85
		Maximum	130	130	130	140	140	140	140	140	130

Fluid			Water		Chemicals		Petrochemicals		
			Normal Temperature (up to 80°C)	High Temperature (80~120°C)	Concentrated sulfuric acid	Caustic soda (30%)	Plasticizer	Tar	Polyester
Type	Dia.	Viscosity					50cP	500cP	2000cP
25 40	25 40	Continuous	0.8~3.5	1~2.8	0.4~2	0.1~4.5	0.05~4.5	0.013~4.5	0.007~3.5
		Intermittent	0.8~4.5	1~3.5	0.4~2.8	0.1~6	0.05~6	0.013~6	0.007~4.5
		Maximum	5	4.5	3.5	7	7	7	7
40 50	40 50	Continuous	1.5~7.5	2~6	0.8~4.5	0.25~9	0.1~9	0.02~9	0.01~7.5
		Intermittent	1.5~9	2~7.5	0.8~6	0.25~13	0.1~13	0.02~13	0.01~9
		Maximum	10	9	7.5	15	15	15	15
80	80	Continuous	3.5~15	5~10	3.5~12	0.6~20	0.3~20	0.07~20	0.03~17
		Intermittent	3.5~20	5~17	3.5~15	0.6~35	0.3~35	0.07~35	0.03~28
		Maximum	20	20	20	40	40	40	35
80L 100	80 100	Continuous	5~28	8~22	2.5~17	1~35	0.5~35	0.12~35	0.06~28
		Intermittent	5~35	8~28	2.5~22	1~50	0.5~50	0.12~50	0.06~35
		Maximum	40	35	28	55	55	55	55
100L	100	Continuous	12~60	16~50	8~40	4~85	2~85	0.35~85	0.17~60
		Intermittent	12~85	16~60	8~40	4~120	2~120	0.35~120	0.17~85
		Maximum	95	85	60	130	130	130	130

## 選型範例

F02 - 03 - 25 - FC - 120 - 0 - 0 - N - 5

### 口徑

25: DN25    40: DN40    50: DN50  
 80: DN80    80L: DN80  
 100: DN100    100L: DN100  
 150: DN150

### 材質

FC: FC25    SS: SS316

### 耐溫

80: 80°C以下                      120: 120°C以下  
 150: 150°C以下

### LCD顯示及訊號輸出功能

0: 8位數累積量顯示+5位數瞬間量顯示  
 1: 8位數累積量顯示+5位數可歸零累積量顯示  
 2: 無顯示+ Pulse輸出  
 3: 8位數累積量顯示+5位數瞬間量顯示+ Pulse輸出  
 4: 8位數累積量顯示+5位數瞬間量顯示+ 4~20mA輸出  
 5: 8位數累積量顯示+5位數可歸零累積量顯示+ Pulse輸出

### 接續

0: JIS10K法蘭                      1: JIS20K法蘭  
 2: ANSI 150LB 法蘭              3: ANSI 300LB 法蘭

### 防爆功能

N: 無防爆    Y: 具防爆Class I, Division 2, Groups B,C&D

### 精度

5: ±0.5%讀值                      2: ±0.2%讀值