



## 產品規格

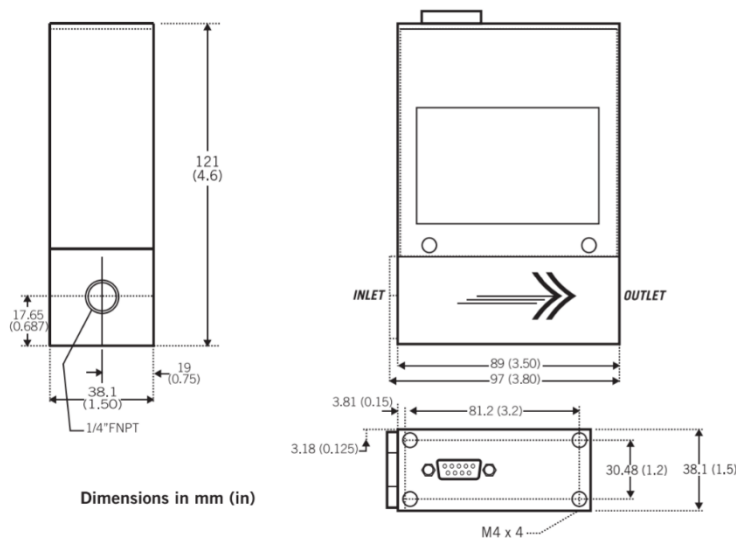
Name	Thermal Mass Flow Meter
Fluids	Non-corrosive Gas
Flow Range	0~10 SCCM to 0~100 SLM
Process Connection	1/4" NPT female
Output Signal	0~5V / 4~20mA
Load Resistance	0~5V - 1000Ω 4~20mA - 500Ω
Material	Wetted Part - SS316 O-ring - Viton
Accuracy	±1%FS
Repeatability	±0.15%FS or better
Turndown Ratio	100:1
Input Power	24VDC / 15VDC / 115VAC / 220VAC
Electric Connection	9 Pin Sub D
Minimum Pressure	40" H <sub>2</sub> O
Maximum Pressure	500 PSIG
Temperature Range	0~50°C
Response Time	1 second
Temp. Coefficient	0.05%FS per 1°C or better
Pressure Coefficient	0.01%FS per PSIG or better
Certification	CE
Weight	App. 1.08kg with power supply

## 流量範圍

Flow Range Code	SCCM	Flow Range Code	SLM	Flow Range Code	SLM
00	0~10	06	0~1	16	0~45
01	0~20	07	0~2	17	0~50
02	0~50	08	0~5	18	0~55
03	0~100	09	0~10	19	0~60
04	0~200	10	0~15	20	0~65
05	0~500	11	0~20	21	0~70
		12	0~25	22	0~75
		13	0~30	23	0~100
		14	0~35	24	*Custom
		15	0~40		

\* Notice that the maximum of custom flow range is 100 SLM

## 尺寸圖



## 選型範例

F13 - 03 - 02 - A - 24

**Flow Range Code** \_\_\_\_\_  
Please refer to the flow range table.

**Output Signal** \_\_\_\_\_  
V: 0~5V    A: 4~20mA

**Input Power** \_\_\_\_\_  
24: 24VDC                      15: 15VDC  
115: 115VAC                    220: 220VAC