



產品規格

Name	Thermal Mass Flow Meter
Fluids	Non-corrosive Gas
Display	LCD display with blue backlight. One line display type includes 4 digits flow rate and one unit assigned. Two line display type includes 8 digits flow rate and 10 digits totalizer. Units Kg, GAL, NL, Nm ³ , cc, L and M ³ are available.
Flow Range	0~10 SCCM to 0~100 SLM
Process Connection	1/4" NPT female
Output Signal	0~5V / 4~20mA
Load Resistance	0~5V - 1000Ω 4~20mA - 500Ω
Material	Wetted Part - SS316 O-ring - Viton
Accuracy	±1%FS
Repeatability	±0.15%FS or better
Turndown Ratio	100:1
Input Power	24VDC / 15VDC / 115VAC / 220VAC
Electric Connection	9 Pin Sub D
Minimum Pressure	40" H ₂ O
Maximum Pressure	500 PSIG
Temperature Range	0~50°C
Response Time	1 second
Temp. Coefficient	0.05%FS per 1°C or better
Pressure Coefficient	0.01%FS per PSIG or better
Certification	CE
Weight	App. 1.08kg with power supply App. 1.22kg with power supply & totalizer

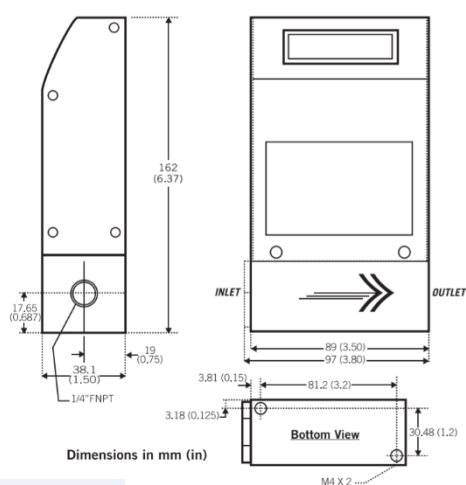
流量範圍

Flow Range Code	SCCM	Flow Range Code	SLM	Flow Range Code	SLM
00	0~10	06	0~1	16	0~45
01	0~20	07	0~2	17	0~50
02	0~50	08	0~5	18	0~55
03	0~100	09	0~10	19	0~60
04	0~200	10	0~15	20	0~65
05	0~500	11	0~20	21	0~70
		12	0~25	22	0~75
		13	0~30	23	0~100
		14	0~35	24	*Custom
		15	0~40		

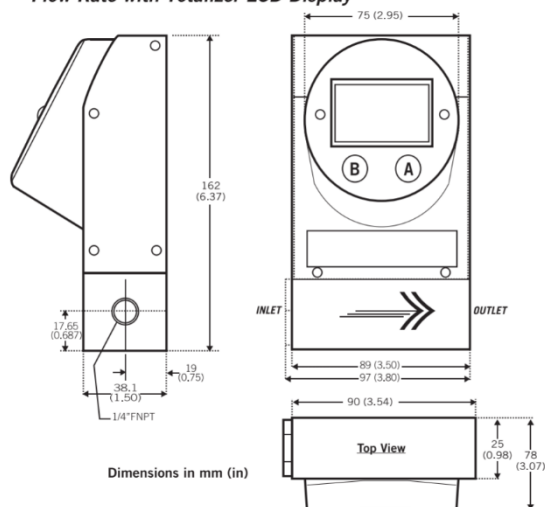
* Notice that the maximum of custom flow range is 100 SLM

尺寸圖

Flow Rate with LCD Display (without LCD available)



Flow Rate with Totalizer LCD Display



選型範例

F13 - 04 - 02 - A - 24 - 3 - 0

Flow Range Code

Please refer to the flow range table.

Output Signal

V: 0~5V A: 4~20mA

Input Power

24: 24VDC 15: 15VDC
115: 115VAC 220: 220VAC

LCD display

- 0: Without display
- 1: One line type display without backlight
- 2: One line type display with backlight
- 3: Two line type display with backlight

Flow Unit

0: Kg 1: GAL 2: NL 3: Nm³ 4: cc 5: L 6: M³