



產品規格

Name	Thermal Mass Flow Meter
Fluids	Non-corrosive Gas
Display	LCD display with blue backlight. One line display type includes 4 digits flow rate and one unit assigned. Two line display type includes 8 digits flow rate and 10 digits totalizer. Units Kg, GAL, NL, Nm ³ , cc, L and M ³ are available.
Flow Range	0~100 SLM to 0~200 SLM
Process Connection	1/2" NPT female
Output Signal	0~5V / 4~20mA
Load Resistance	0~5V - 1000Ω 4~20mA - 500Ω
Material	Wetted Part - SS316 O-ring - Viton
Accuracy	±1%FS
Repeatability	±0.15%FS or better
Turndown Ratio	100:1
Input Power	24VDC / 15VDC / 115VAC / 220VAC
Electric Connection	9 Pin Sub D
Minimum Pressure	100" H ₂ O
Maximum Pressure	500 PSIG
Temperature Range	0~50°C
Response Time	1 second
Temp. Coefficient	0.05%FS per 1°C or better
Pressure Coefficient	0.01%FS per PSIG or better
Certification	CE
Weight	App. 1.64kg with power supply App. 1.78kg with power supply & totalizer

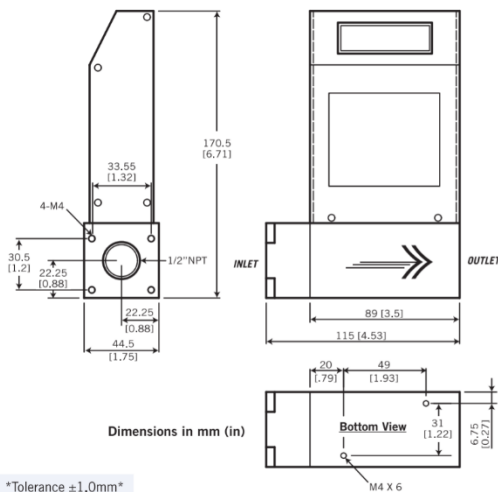
流量範圍

Flow Range Code	SLM
00	0~100
01	0~150
02	0~200
03	*Custom

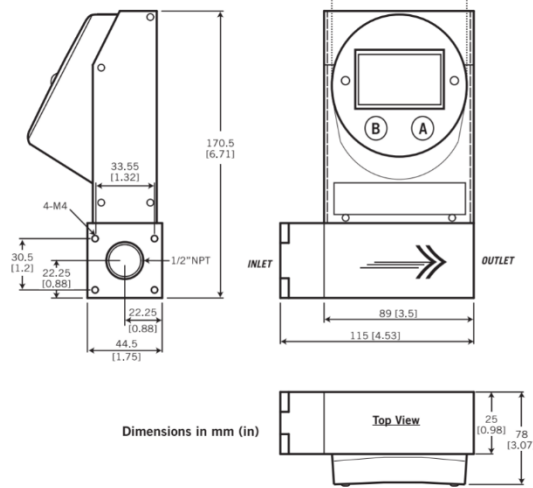
* Notice that the maximum of custom flow range is 200 SLM

尺寸圖

Flow Rate with LCD Display (without LCD available)



Flow Rate with Totalizer LCD Display



選型範例

F13 - 05 - 02 - A - 24 - 3 - 0

Flow Range Code

Please refer to the flow range table.

Output Signal

V: 0~5V A: 4~20mA

Input Power

24: 24VDC 15: 15VDC
115: 115VAC 220: 220VAC

LCD display

- 0: Without display
- 1: One line type display without backlight
- 2: One line type display with backlight
- 3: Two line type display with backlight

Flow Unit

0: Kg 1: GAL 2: NL 3: Nm³ 4: cc 5: L 6: M³